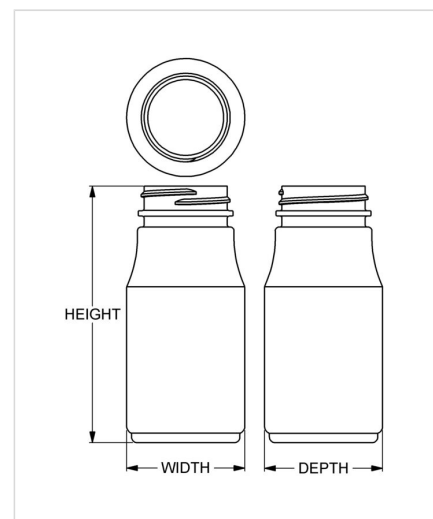


**Item:** 120 cc Apothecary Round  
**Family:** Browse Round



## Specifications

- |                                      |  |
|--------------------------------------|--|
| • <b>Capacity</b> 120 ml/cc / 4.1 oz | • <b>Height</b> 107.44 mm / 4.230 in           |
| • <b>Mold #</b> 0584                 | • <b>Width</b> 49.43 mm / 1.946 in             |
| • <b>Finish</b> 38-400               | • <b>Depth</b> 49.43 mm / 1.946 in             |
| • <b>Finish Code</b> I1              | • <b>Overflow</b> 160 ml/cc / 5.4 oz           |
| • <b>Weight</b> 21.0 g / 0.74 oz     | • <b>Max. Bead Diameter</b> 39.7 mm / 1.563 in |
| • <b>Other Weights</b> No            | • <b>Material Options</b> PET                  |

## Compatible closures & fitments



38 mm Continuous  
Thread Ribbed Side  
Smooth Top



38 mm THUMBLE-  
EZY® Dispensing Top



38 mm Continuous  
Thread Smooth Side  
Smooth Top



38 mm SecuRx®  
Ribbed Side Pictorial  
Top CRC



38 mm SecuRx®  
Ribbed Side Text Top  
CRC



38 mm THUMBLE-  
EZY® Dispensing Top  
with Raised Ring



38 mm THUMBLE-  
EZY® III Dispensing  
Top



38 mm SecuRx® 15ml  
Dosage Cap™ with  
Ribbed Side Text Top